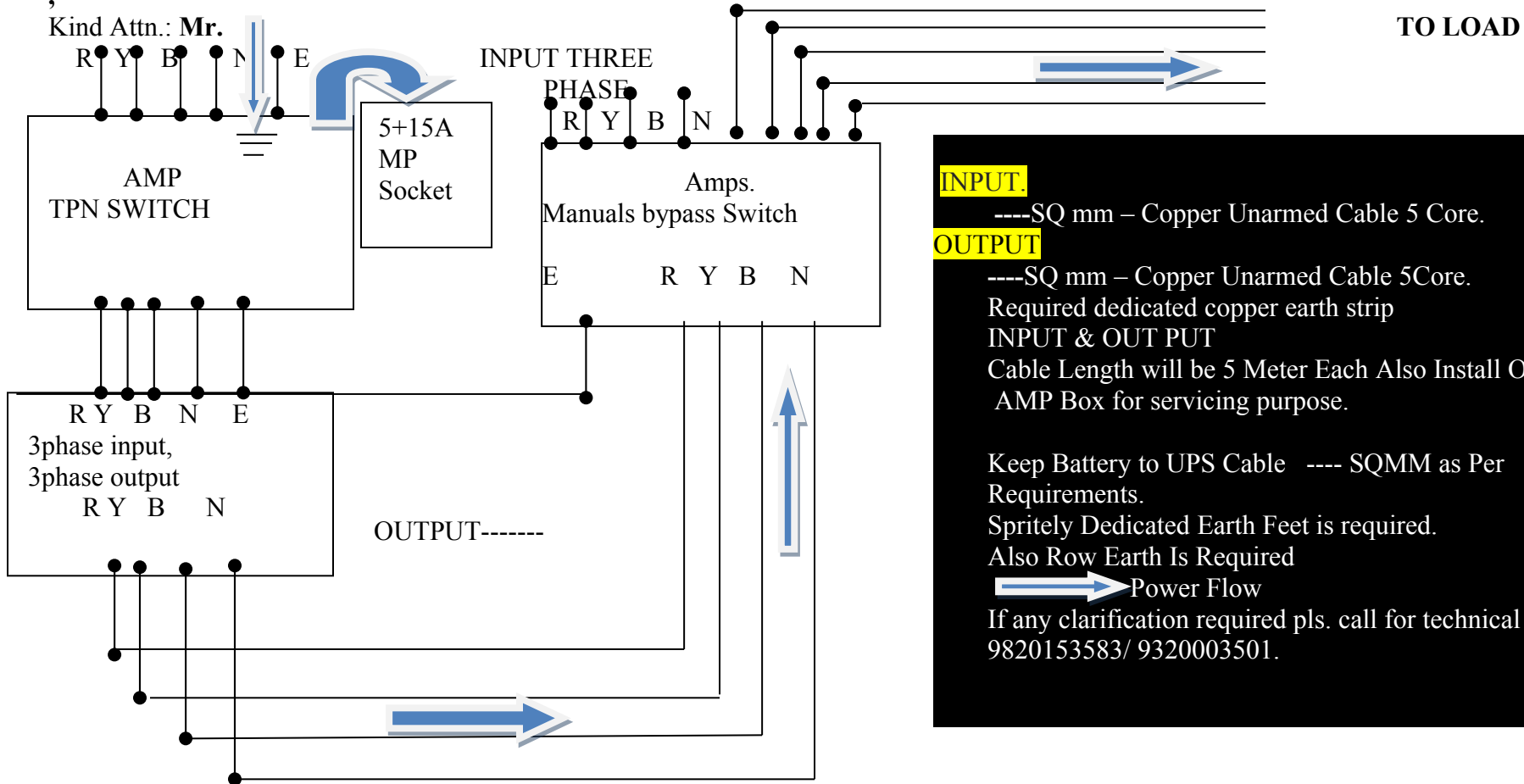


POWER WIRING DIAGRAM OF ---- KVA (3PHASE INPUT, 3PHASE OUTPUT)

To
M/s.

Kind Attn.: Mr.



INPUT.

----SQ mm – Copper Unarmed Cable 5 Core.

OUTPUT

----SQ mm – Copper Unarmed Cable 5Core.

Required dedicated copper earth strip

INPUT & OUT PUT

Cable Length will be 5 Meter Each Also Install One 5+15 AMP Box for servicing purpose.

Keep Battery to UPS Cable ---- SQMM as Per Requirements.

Spritely Dedicated Earth Feet is required.

Also Row Earth Is Required

➡ Power Flow

If any clarification required pls. call for technical support
9820153583/ 9320003501.

For 3Phase to 3 Phase UPS system
Cable & Input Output Switch Selection Chart.
(For Outside battery/ higher backup.)

Assecories KVA	Input Switch 4 Pole	Output changeover Switch 4 Pole	Input cooper unnamed 5core flexiable Cable	Output cooper unnamed 5core flexiable Cable	Row supply Socket
1.0 KVA					
2.0 KVA					
3.0 KVA					
5.0 KVA	32 AMP	32 AMP	10 sq mm	10 sq mm	5+15 AMP
6.0KVA	63 AMP	32 AMP	16 sq mm	10 sq mm	5+15 AMP
7.5 KVA	63 AMP	32 AMP	16 sq mm	10 sq mm	5+15 AMP
10.0 KVA	80 AMP	40 AMP	20 sq mm	16 sq mm	5+15 AMP
15.0KVA	80 AMP	63AMP	30 sq mm	30 sq mm	5+15 AMP
20.0KVA	100AMP	100AMP	40 sq mm	40 sq mm	5+15 AMP
25.0KVA	120AMP	150AMP	35 sq mm	55 sq mm	5+15 AMP
30.0KVA	150AMP	150AMP	40 sq mm	40 sq mm	5+15 AMP
40.0KVA	200AMP	200AMP	55 sq mm	55 sq mm	5+15 AMP
50.0KVA	250AMP	250AMP	75 sq mm	75 sq mm	5+15 AMP
60.0KVA	300AMP	300AMP	75 sq mm	75 sq mm	5+15 AMP
Note: - Above 60.0KVA contact with our Technical Manager.					