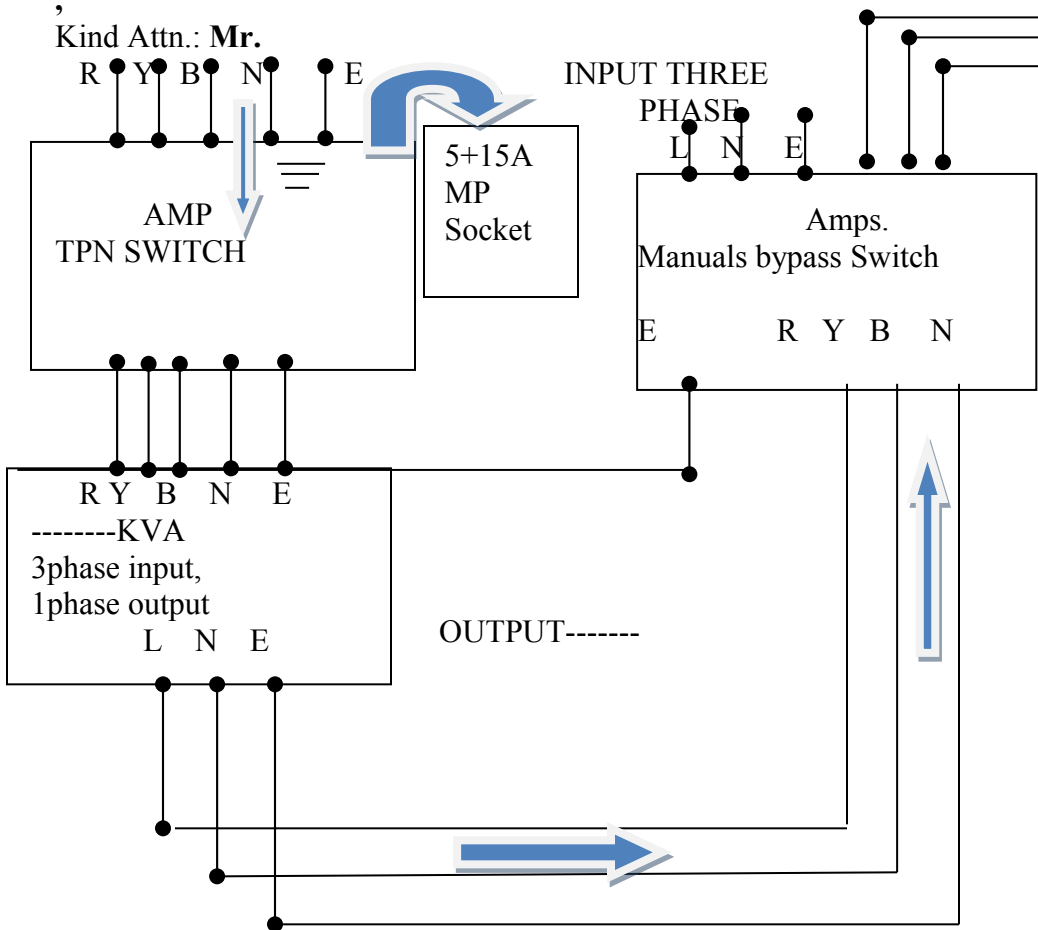


POWER WIRING DIAGRAM OF ----- KVA (3PHASE INPUT, 1 PHASE OUTPUT)

To
M/s.

Kind Attn.: Mr.
R Y B N E



TO LOAD

INPUT.

----SQ mm – Copper Unarmed Cable 5 Core.

OUTPUT

----SQ mm – Copper Unarmed Cable 5Core.

Required dedicated copper earth strip

INPUT & OUT PUT

Cable Length will be 5 Meter Each Also Install One 5+15 AMP Box for servicing purpose.

Keep Battery to UPS Cable ---- SQMM as Per Requirements.

Spritely Dedicated Earth Feet is required.

Also Row Earth Is Required

➡ Flow of power.

If any clarification required pls. call for technical support
9820153583/ 9320003501.

For 3 Phase to 1 Phase UPS system
Cable & Input Output Switch Selection Chart.
(For Outside battery/ higher backup.)

Assecories	Input Switch	Output changeover Switch	Input cooper unarmed	Output cooper unnamed	Row supply Socket
KVA	4Pole/ TPN Switch	2/3 Pole	5core fixiable Cable	3core fexiabile Cable	
5.0 KVA	63 AMP	20 AMP	10 sq mm	10 sq mm	5+15 AMP
6.0KVA	63 AMP	32 AMP	10 sq mm	10 sq mm	5+15 AMP
7.5 KVA	63 AMP	32 AMP	20 sq mm	10 sq mm	5+15 AMP
10.0 KVA	80 AMP	40 AMP	25 sq mm	16 sq mm	5+15 AMP
15.0KVA	80 AMP	63AMP	25sq mm	30sq mm	5+15 AMP
20.0KVA	100AMP	100AMP	30sq mm	40sq mm	5+15 AMP
25.0KVA	120AMP	150AMP	35sq mm	55sq mm	5+15 AMP
30.0KVA	150AMP	150AMP	40sq mm	55sq mm	5+15 AMP
40.0KVA	200AMP	200AMP	55sq mm	65sq mm	5+15 AMP
50.0KVA	250AMP	250AMP	65sq mm	75sq mm	5+15 AMP
60.0KVA	300AMP	300AMP	75sq mm	75sq mm	5+15 AMP
Note: - Above 60.0KVA contact with our Technical Manager.					