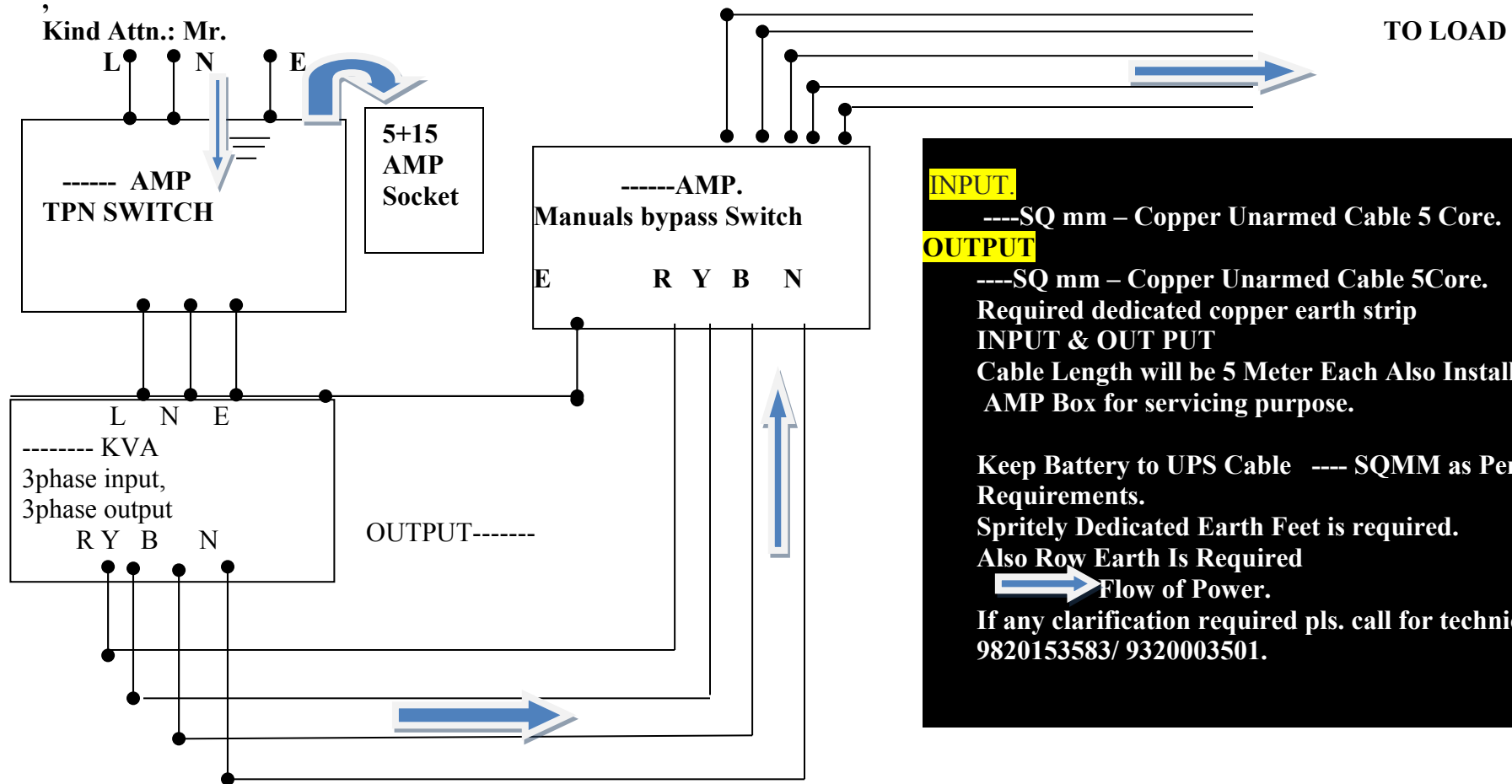


**POWER WIRING DIAGRAM OF ----- KVA (1 PHASE INPUT, 3PHASE OUTPUT)**



**INPUT.**

----SQ mm – Copper Unarmed Cable 5 Core.

**OUTPUT**

----SQ mm – Copper Unarmed Cable 5Core.

Required dedicated copper earth strip  
INPUT & OUT PUT

Cable Length will be 5 Meter Each Also Install One 5+15  
AMP Box for servicing purpose.

Keep Battery to UPS Cable ---- SQMM as Per  
Requirements.

Spritely Dedicated Earth Feet is required.

Also Row Earth Is Required

➡ Flow of Power.

If any clarification required pls. call for technical support  
9820153583/ 9320003501.

**For 1 Phase to 3 Phase UPS system**  
**Cable & Input Output Switch Selection Chart.**  
**(For Outside battery/ higher backup.)**

<b>Assecories</b>	<b>Input Switch</b>	<b>Output changeover Switch</b>	<b>Input cooper unnamed 3core fexiable Cable</b>	<b>Output cooper unnamed 5 core fexiable Cable</b>	<b>Row supply Socket</b>
<b>KVA</b>	<b>Two Pole</b>	<b>4 Pole</b>			
<b>5.0 KVA</b>	<b>32 AMP</b>	<b>20 AMP</b>	<b>10 sq mm</b>	<b>6 sq mm</b>	<b>5+15 AMP</b>
<b>6.0KVA</b>	<b>40 AMP</b>	<b>32 AMP</b>	<b>16 sq mm</b>	<b>6 sq mm</b>	<b>5+15 AMP</b>
<b>7.5 KVA</b>	<b>63 AMP</b>	<b>32 AMP</b>	<b>16 sq mm</b>	<b>10 sq mm</b>	<b>5+15 AMP</b>
<b>10.0 KVA</b>	<b>80 AMP</b>	<b>40 AMP</b>	<b>20 sq mm</b>	<b>16 sq mm</b>	<b>5+15 AMP</b>