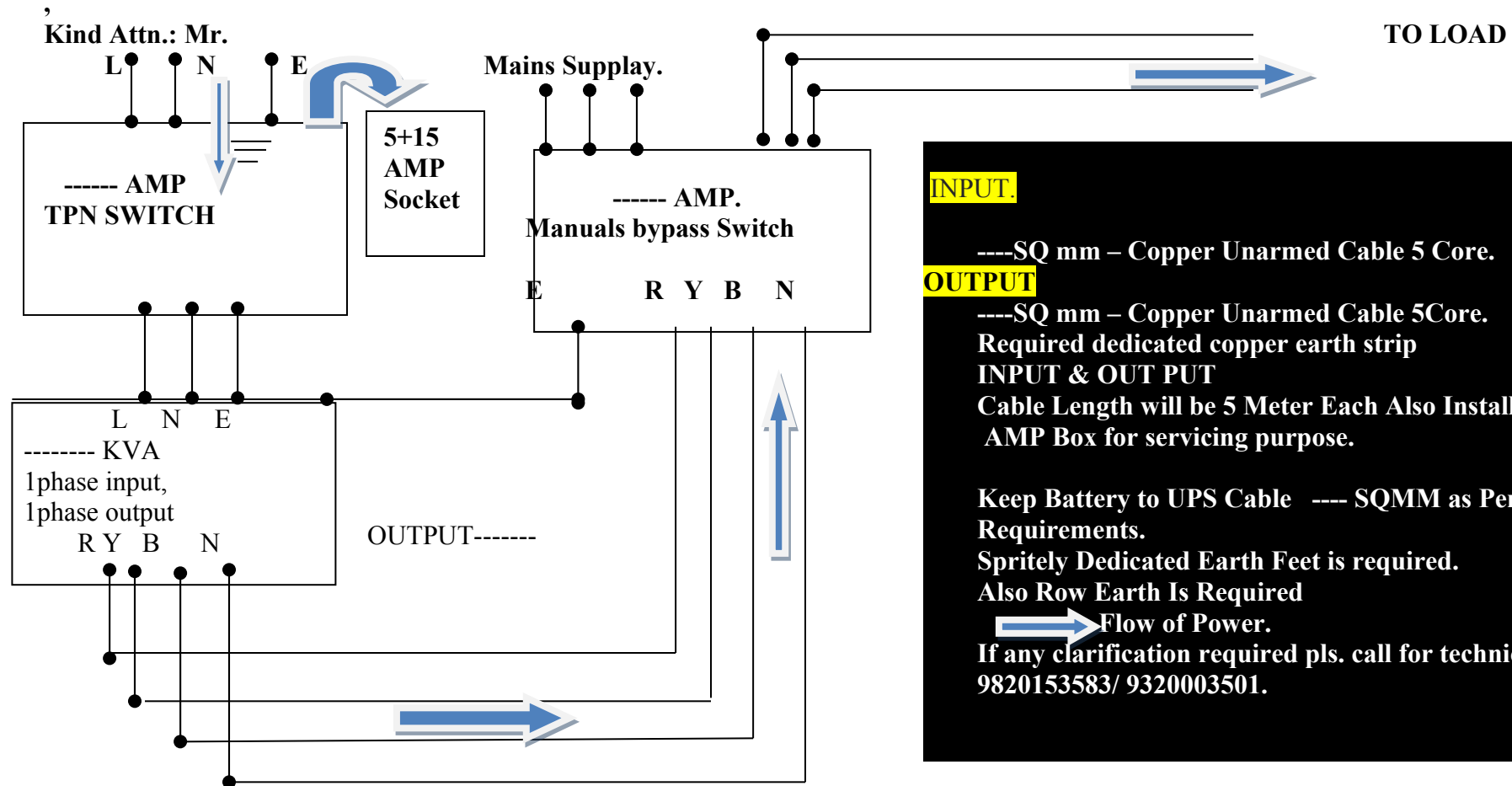


To
M/s.

POWER WIRING DIAGRAM OF ---- KVA (1 PHASE INPUT, 1PHASE OUTPUT)



INPUT.

----SQ mm – Copper Unarmed Cable 5 Core.

OUTPUT

----SQ mm – Copper Unarmed Cable 5Core.

Required dedicated copper earth strip

INPUT & OUT PUT

Cable Length will be 5 Meter Each Also Install One 5+15
AMP Box for servicing purpose.

Keep Battery to UPS Cable ---- SQMM as Per
Requirements.

Spritley Dedicated Earth Feet is required.

Also Row Earth Is Required

➡ Flow of Power.

If any clarification required pls. call for technical support
9820153583/ 9320003501.

For 1 Phase to 1 Phase UPS system
Cable & Input Output Switch Selection Chart.
(For Outside battery / higher backup.)

Assecories	Input Switch	Output changeover Switch	Input cooper unnamed	Output cooper unnamed	Row supply Socket
KVA	2 Pole	3/2 Pole	3 core fexiable Cable	3 core fexiable Cable	
1.0 KVA	10.0 AMP	6 AMP	6.0sq mm	4.0sq mm	5+15 AMP
2.0 KVA	20 AMP	10 AMP	6.0sq mm	6.0 sq mm	5+15 AMP
3.0 KVA	20 AMP	20 AMP	6.0sq mm	10 sq mm	5+15 AMP
5.0 KVA	32 AMP	20 AMP	10 sq mm	10 sq mm	5+15 AMP
6.0KVA	40 AMP	32 AMP	16 sq mm	10 sq mm	5+15 AMP
7.5 KVA	63 AMP	32 AMP	16 sq mm	10 sq mm	5+15 AMP
10.0 KVA	80 AMP	40 AMP	20 sq mm	16 sq mm	5+15 AMP